

Technical data sheet

T60 junction box, with knock-out entries

Item no. 2007910



Junction box for the connection of cables and lines indoors and in protected outdoor areas. Square design with knock-out entries to the sides and knock-out entries in the bottom. Suitable for wall and ceiling mounting and on mounting panels. With the option to fasten inside and to mount via the corner domes. With fixed clamping cover. Made from halogen-free and UV-stabilized materials. Junction box according to DIN EN 60670. Flame-resistant to DIN EN 60695/2/11, test temperature 650 °C. Impact resistance IK07 according to DIN EN 50102.

Clear internal dimensions: 100x100x48 mm

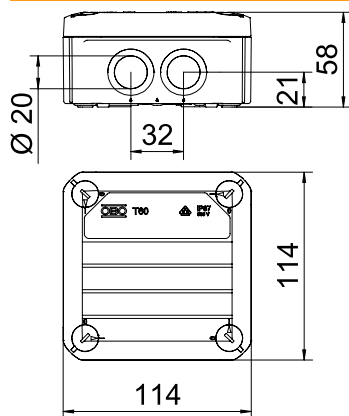


PP Polypropylene

Master data

Item no.	2007910
Type	T 60 M20
Description 1	Junction box
Description 2	M20 entry
Dimension	114x114x57
Colour	Light grey
RAL number	7035
Material	Polypropylene
Material symbol	PP
Smallest sales unit (VG)	5 Piece
Weight	12,10 kg/100 pc.

Technical data



Length	114,00 mm
Width	114,00 mm
Height	57,00 mm
Clear internal dimensions	100x100x48 mm
Dimension LxWxH	114x114x57 mm
Dimension	114 x 114 x 57 mm
Expandable	<input checked="" type="checkbox"/>
No. of entries	7
Type of entry	Gland
Type of housing penetration	Pre-marking
Measured insulation voltage Vi	500,00 V
Equipment	Without
Cover	Not transparent
Cover fastening	Screwed
Entries	7 x Ø20
Entry from rear	<input checked="" type="checkbox"/>
Explosion-tested version	<input type="checkbox"/>
Flame-resistant	acc. to VDE 0471/DIN 695 Part 2-1, test temperature 650°C
Shape	Square
Function maintenance (ETIM)	Without
For Ex zone	Without

Technical data sheet

T60 junction box, with knock-out entries

Item no. 2007910



Technical data

For Ex zone gas	Without
For Ex zone dust	Without
Fibre-glass reinforced	<input type="checkbox"/>
Halogen-free	<input checked="" type="checkbox"/>
With screening	<input type="checkbox"/>
With cover	<input checked="" type="checkbox"/>
Mounting type	Wall/ceiling mounting
Nominal cross section	6,00 mm ²
Nominal voltage	500,00 V
Protection rating	IP67
Protection rating IK code	IK07.
Sealable	<input checked="" type="checkbox"/>
max. permitted ambient temperature	-5,00 - 60,00 °C
Transparent lid	<input type="checkbox"/>
Weatherproof	<input type="checkbox"/>