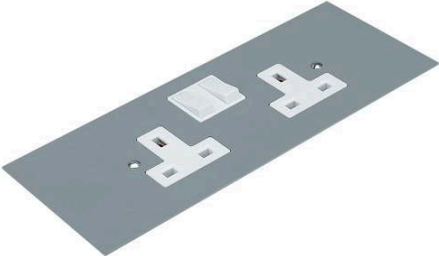


## 4 Comp 2G Switch Socket 13A CE Product Data Sheet

Product Range	UP753	<p>Image for reference only</p> 
Description	4 Comp 2G Switch Socket 13A CE (Clean Earth)	
Key Features	<p>Designed for use in MT 4 compartment Under floor products.</p> <p>Pre-fitted with 13Amp 2 gang double pole switched socket to BS 1363-2.</p> <p>Socket earth terminals isolated from accessory plate.</p> <p>Separate earth terminal fitted to accessory plate for earth bonding.</p>	
Dimensions	71mm x 185mm x 0.9mm	
Material(s)	Plate: Galvanised steel	
Compliance / Standards(s)	<p>BS 7671:2018</p> <p>BS 1363-2</p>	
Packaging	Recyclable	

Sustainability